

Regency® Decorative CBU's and OPL's

Models 3308R, 3312R, 3316R, 3313R, 3305R, 3306R & 3304R

Installation Instructions

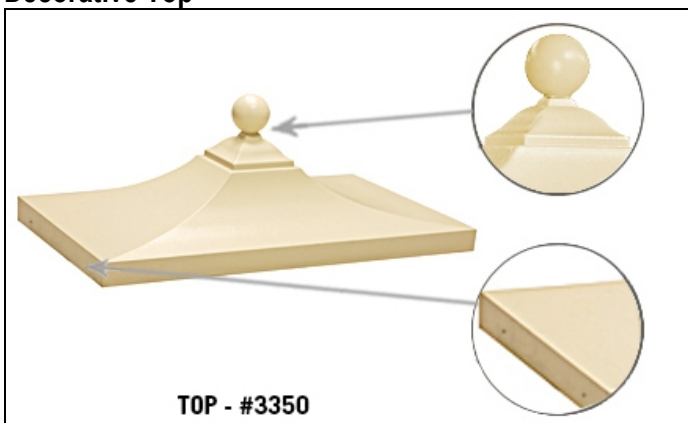
U.S.P.S. APPROVED

Thank you for your purchase of Salsbury's Regency® Decorative CBU's and OPL's manufactured by Salsbury Industries. We are confident that you will find them to be an attractive addition to commercial and residential developments. Regency® Decorative CBU's and OPL's include a cluster box unit or outdoor parcel locker, a pedestal, a decorative top and a decorative pedestal cover. This first page instructs how to attach the decorative top to the CBU or OPL and the pedestal cover to the pedestal.

Installation of Decorative Top

1. Fasten the ball finial to the decorative top from the underside of the decorative top using two (2) M4x8 allen bolts.
2. Before placing the decorative top on to the CBU or OPL top, apply thread lock to the four (4) M6x8 allen cone point set screws and insert into the two (2) threaded holes on each side of the decorative top.
3. Only turn the set screws until they are flush with the inside surface of the decorative top so that the decorative top can be placed on the CBU or OPL top.
4. Place the decorative top on to the CBU or OPL top. Be sure the logo on the decorative top is positioned at the rear of the unit. Tighten the four (4) allen set screws evenly to secure the decorative top to the unit.

Decorative Top

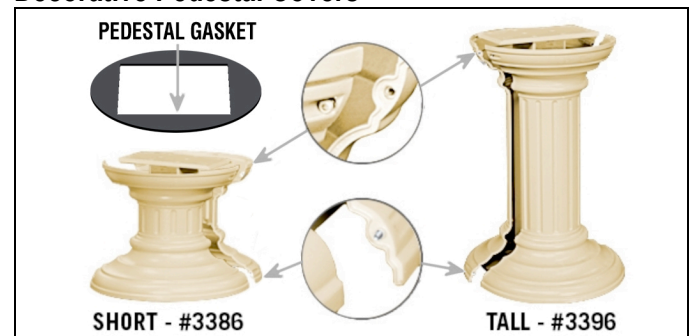


Installation of Decorative Pedestal Covers

Note: The following instructions apply to both the short decorative pedestal cover (# 3386) and the tall decorative pedestal cover (# 3396).

1. Place the pedestal gasket on the floor and wrap it around the base of the unit's pedestal.
2. Slide one half of the black plastic insect guard into the top of either one of the decorative pedestal cover halves. Make sure the locator tabs on the pedestal cover align with the slots on the insect guard. Repeat on the other half of the pedestal cover.
3. Place one of the pedestal covers with guard installed into position underneath the rear of the unit and around the rear of the pedestal.
4. Place the other pedestal cover with guard installed underneath the front of the unit and around the front of the pedestal.
5. Use four (4) M4x16 allen bolts, two (2) at the top and two (2) at the bottom, to bolt the two (2) halves of the pedestal covers together.
6. Thread four (4) M6x20 allen set screws, one at the top and one at the bottom, on both the front and rear halves, into the threaded holes to prevent the pedestal covers from moving.

Decorative Pedestal Covers



SALSBURY INDUSTRIES

18300 Central Avenue, Carson, CA 90746-4008

Ph: 1-800-624-5269

Int'l Ph: 323-846-6700

Fx: 1-800-624-5299

Int'l Fx: 323-846-6800

www.mailboxes.com

engineering@mailboxes.com

Installation instructions are provided as general guidelines. It is advised that a professional installer be consulted. Salsbury Industries assumes no product assembly or installation liability. Copyright © 2020 Salsbury Industries. All rights reserved. (Rev. 06, 11/13/2015)

CLUSTER BOX UNITS (CBU's) INSTALLATION MANUAL "F" SPECIFICATIONS

TYPE	I	II	III	IV	V	VI
MODEL	3308	3312	3316	3313	3305	3306

TABLE OF CONTENTS

<i>DESCRIPTION</i>	<i>PAGE</i>
<i>CBU INFORMATION</i>	2
<i>SITE PREPARATION AND PEDESTAL INSTALLATION</i>	3
<i>SECURITY TOOL REQUIREMENTS</i>	4
<i>INSTALLATION OF AN ARROW LOCK</i>	5
<i>PARCEL ARROW LOCK INSTALLATION</i>	7
<i>PEDESTAL TO CBU INSTALLATION</i>	9

SALSBURY INDUSTRIES

18300 Central Avenue, Carson, CA 90746-4008

Phone: 1-800-624-5269

Int'l Phone: 323-846-6700

Fax: 1-800-624-5299

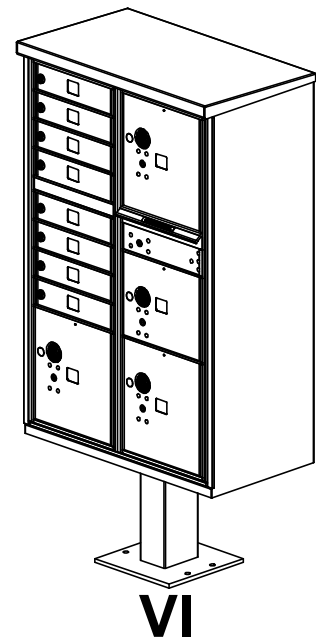
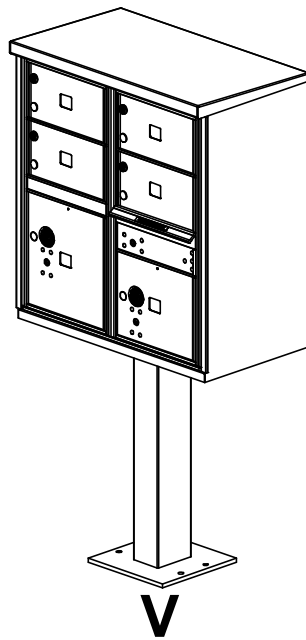
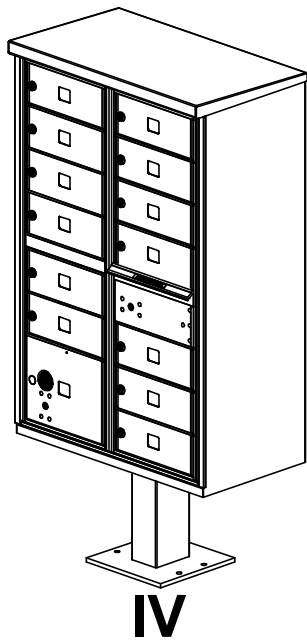
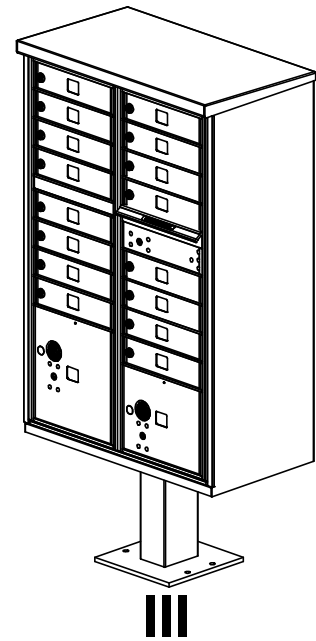
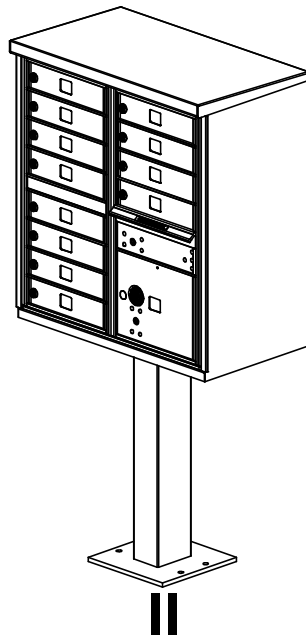
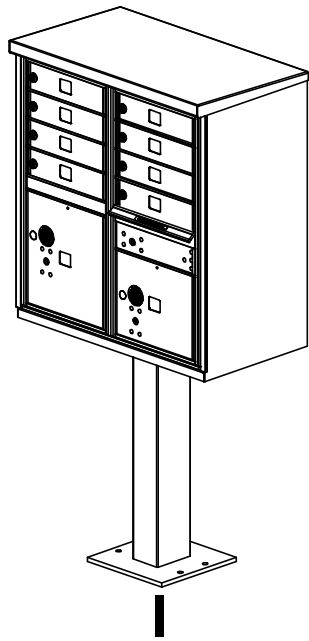
Int'l Fax: 323-846-6800

www.mailboxes.com

engineering@mailboxes.com

Installation instructions are provided as general guidelines. It is advised that a professional installer be consulted. Salsbury Industries assumes no product assembly or installation liability.

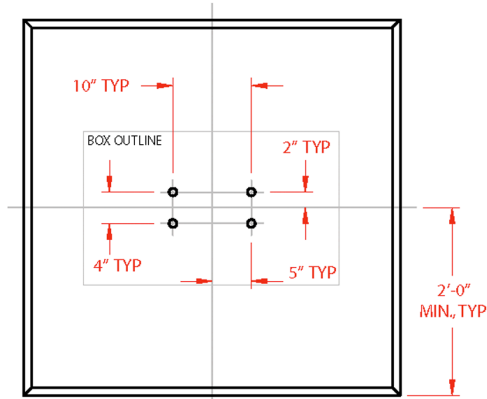
Copyright © 2020 Salsbury Industries --- All rights reserved --- Part No. 1055282, Rev. 06, 11/06/2015 --- Page 1 of 10



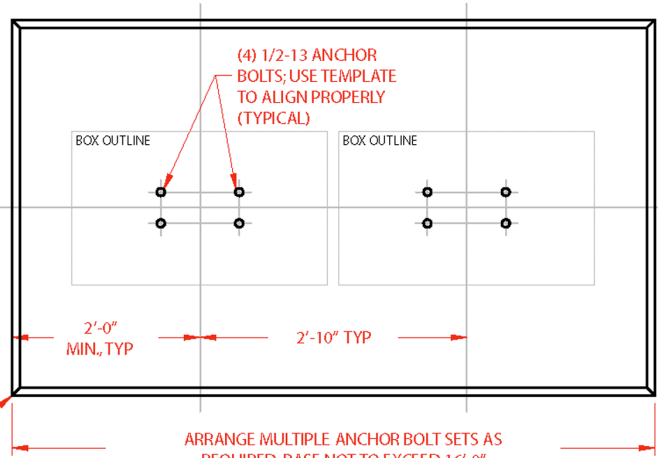
	TYPE I	TYPE II	TYPE III	TYPE IV	TYPE V	TYPE VI
QTY OF TENANT COMPARTMENTS	8	12	16	13	4	8
QTY OF PARCEL COMPARTMENTS	2	1	2	1	2	4
PARCEL COMPARTMENT HEIGHT	10", 13"	10"	10", 13"	10"	10", 13"	10", 13" (3X)

SALSBUry INDUSTRIES
 18300 Central Avenue, Carson, CA 90746-4008
 Phone: 1-800-624-5269 Int'l Phone: 323-846-6700
 Fax: 1-800-624-5299 Int'l Fax: 323-846-6800
 www.mailboxes.com engineering@mailboxes.com

SINGLE UNIT



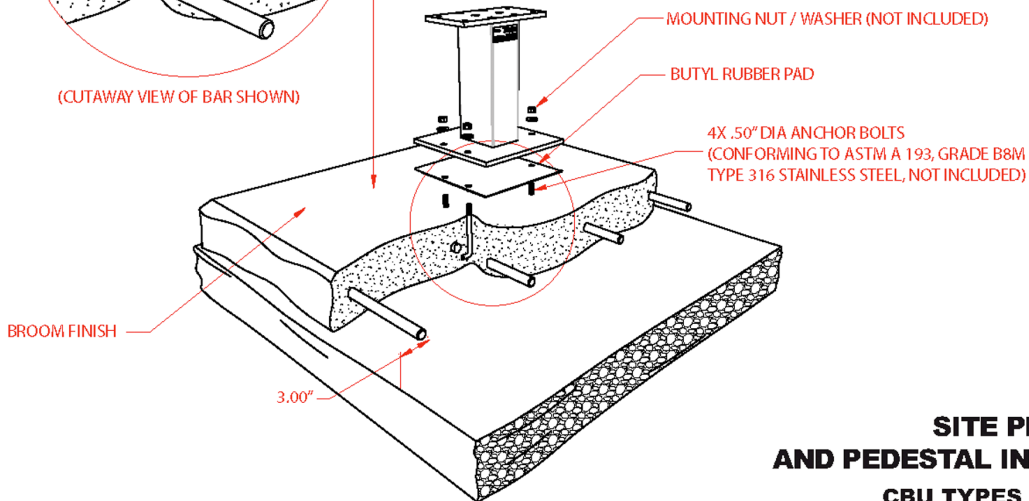
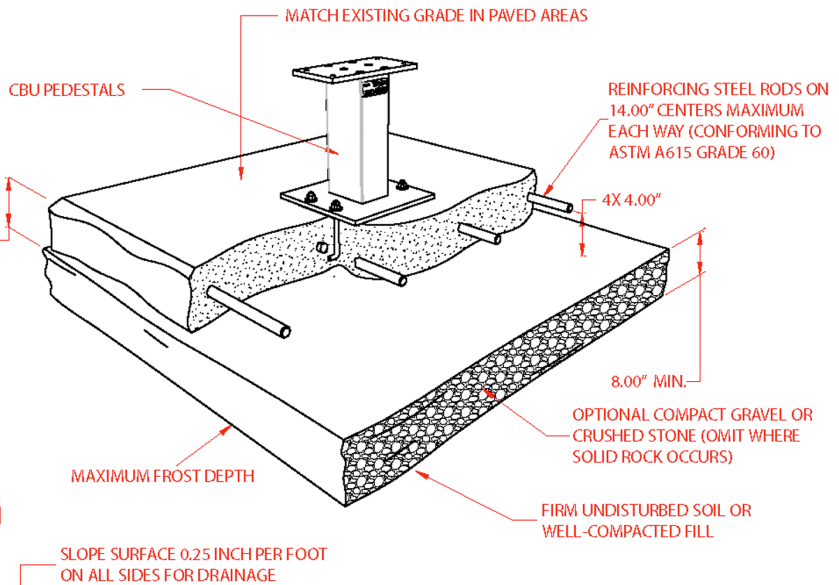
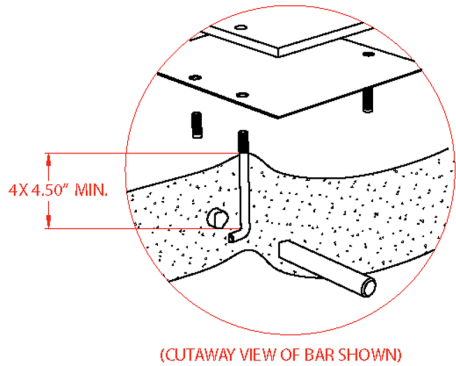
MULTI-UNITS



CHAMFER ALL EDGES IN LANDSCAPE AREAS, TOOL FLUSH WITH ADJOINING SURFACES IN PAVED AREAS.

ARRANGE MULTIPLE ANCHOR BOLT SETS AS REQUIRED; BASE NOT TO EXCEED 16'-0"

NOTE:
CONCRETE SHALL HAVE A COMPRESSIVE STRENGTH OF 3000 PSI @ 28 DAYS, CONTAIN 4% MIN. ~ 6% MAX AIR ENTRAPMENT AND BE PLACED WITH A 3.50 ~ 4.50 SLUMP IN ACCORDANCE TO 301.



**SITE PREPARATION AND PEDESTAL INSTALLATION
CBU TYPES I, II, III, AND IV**

SALSBUURY INDUSTRIES

18300 Central Avenue, Carson, CA 90746-4008

Phone: 1-800-624-5269

Int'l Phone: 323-846-6700

Fax: 1-800-624-5299

Int'l Fax: 323-846-6800

www.mailboxes.com

engineering@mailboxes.com

Installation instructions are provided as general guidelines. It is advised that a professional installer be consulted. Salsbury Industries assumes no product assembly or installation liability.

Copyright © 2020 Salsbury Industries --- All rights reserved --- Part No. 1055282, Rev. 06, 11/06/2015 --- Page 3 of 10

IMPORTANT NOTICE FOR USPS INSTALLERS CBU TYPES I, II, III, AND IV

*INSTALLER MUST ORDER McGARD SCREW DRIVER
(USPS – MAIL EQUIPMENT SHOP PART NUMBER 110050)
TO INSTALL AND SERVICE THE PARCEL ARROW LOCK COVER*

*IF THE
McGARD SCREW DRIVER MES NO. 110050
NEEDS TO BE ORDERED
CONTACT YOUR LOCAL POSTAL AUTHORITY OR VISIT WWW.USPS.COM*

NOTE: SALSURY INDUSTRIES DOES NOT PROVIDE OR SELL THE MCGARD SCREWDRIVER



NOTE:

FOR USPS APPLICATIONS:

- 1) *ARROW LOCK IS INSTALLED BY US POSTAL SERVICE PERSONNEL ONLY. CONTACT YOUR LOCAL POST OFFICE TO ARRANGE INSTALLATION OF ARROW LOCK AND PLACE UNIT INTO SERVICE.*

FOR NON-USPS APPLICATIONS:

- 1) *PLEASE DISREGARD INSTRUCTIONS RELATED TO ARROW LOCK THROUGHOUT THIS MANUAL.*
- 2) *MASTER ACCESS DOOR AND PARCEL DOOR PRIVATE LOCK MECHANISMS WILL BE INSTALLED AT FACTORY UNLESS OTHERWISE SPECIFIED BY CUSTOMER.*
- 3) *MCGARD FASTENERS AND SCREWDRIVER NOT NECESSARY FOR NON-USPS (PRIVATE DELIVERY) APPLICATIONS.*

SALSURY INDUSTRIES

18300 Central Avenue, Carson, CA 90746-4008

Phone: 1-800-624-5269

Int'l Phone: 323-846-6700

Fax: 1-800-624-5299

Int'l Fax: 323-846-6800

www.mailboxes.com

engineering@mailboxes.com

Installation instructions are provided as general guidelines. It is advised that a professional installer be consulted. Salsbury Industries assumes no product assembly or installation liability.

Copyright © 2020 Salsbury Industries --- All rights reserved --- Part No. 1055282, Rev. 06, 11/06/2015 --- Page 4 of 10

INSTALLATION OF AN ARROW LOCK

CBU TYPES I, II, III, AND IV

- 1.** OPEN ARROW LOCK DOOR.

- 2.** REMOVE FIVE (5) 10-32 STAINLESS STEEL LOCK NUTS W/ NYLON INSERT, AS WELL AS 1055372 LOCK SUPPORT PLATE (DISPOSE OF PLASTIC SHIPPING SPACER).

- 3.** PLACE ARROW LOCK INTO 1055290 ARROW LOCK SECURITY BRACKET AND POSITION ON DOOR.

- 4.** REPLACE ONE (1) 86091 10-32 STAINLESS STEEL LOCK NUT W/ NYLON INSERT IN THE REAR POSITION TO SECURE ARROW LOCK SECURITY BRACKET.

- 5.** INSTALL 1055372 LOCK SUPPORT PLATE AS SHOWN

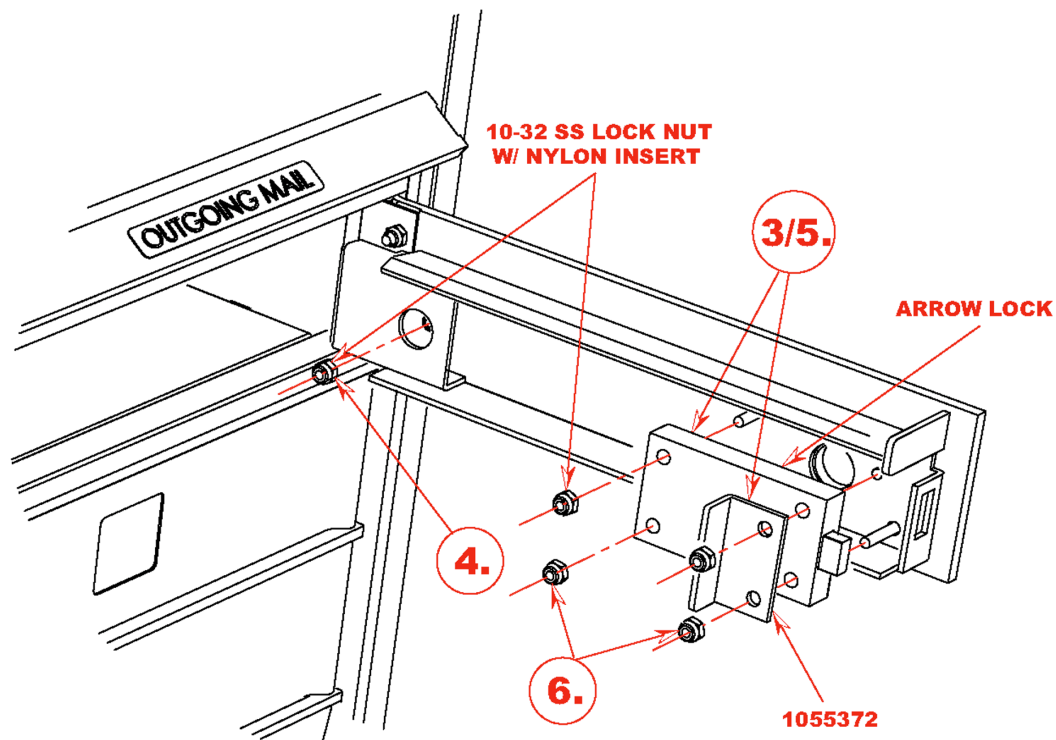
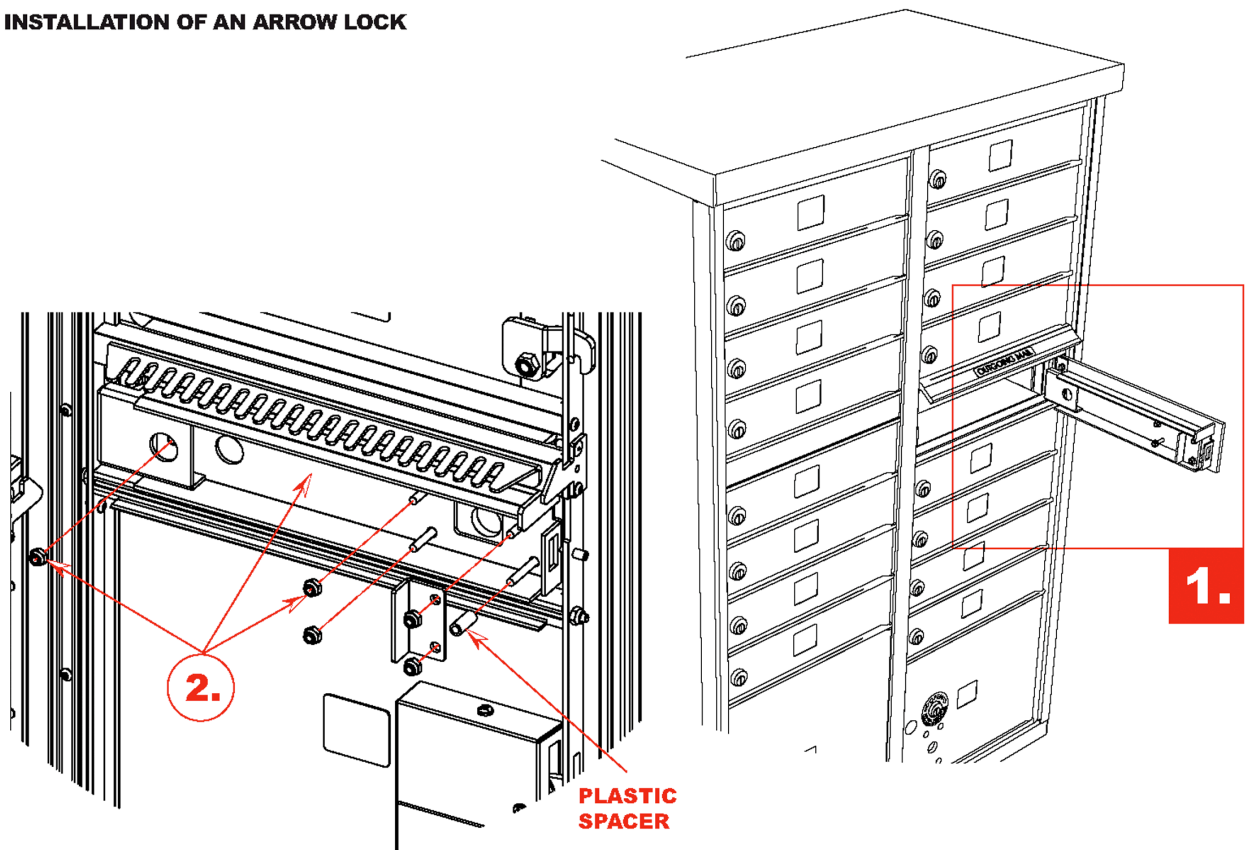
- 6.** REPLACE FOUR (4) 10-32 STAINLESS STEEL LOCK NUTS W/NYLON INSERT. TORQUE 25 TO 30 INCH-POUNDS.

REQUIRED TOOLS	PART #	DESCRIPTION
3/8" SOCKET WRENCH		10-32 STAINLESS STEEL LOCK NUT W/ NYLON INSERT
	1055372	LOCK SUPPORT PLATE
		ARROW LOCK
	1055290	ARROW LOCK SECURITY BRACKET

SALSBURY INDUSTRIES

18300 Central Avenue, Carson, CA 90746-4008
 Phone: 1-800-624-5269 Int'l Phone: 323-846-6700
 Fax: 1-800-624-5299 Int'l Fax: 323-846-6800
 www.mailboxes.com engineering@mailboxes.com

INSTALLATION OF AN ARROW LOCK



SALSBURY INDUSTRIES

18300 Central Avenue, Carson, CA 90746-4008

Phone: 1-800-624-5269

Int'l Phone: 323-846-6700

Fax: 1-800-624-5299

Int'l Fax: 323-846-6800

www.mailboxes.com

engineering@mailboxes.com

Installation instructions are provided as general guidelines. It is advised that a professional installer be consulted. Salsbury Industries assumes no product assembly or installation liability.

Copyright © 2020 Salsbury Industries --- All rights reserved --- Part No. 1055282, Rev. 06, 11/06/2015 --- Page 6 of 10

PARCEL ARROW LOCK INSTALLATION

CBU TYPES I, II, III AND IV

- 1.** OPEN PARCEL DOOR, REMOVE AND DISCARD FOUR (4) PLASTIC SHIPPING RETAINERS (TWO ON LATCHING ASSEMBLY COVER AND TWO ON ARROW LOCK COVER).

- 2.** REMOVE PLASTIC BAG OF FASTENERS (IT CONTAINS ALL FASTENERS NECESSARY TO INSTALL POSTAL LOCK ON ONE PARCEL DOOR).

- 3.** INSTALL ARROW LOCK AS SHOWN AND SECURE WITH FOUR (4) 10-32 STAINLESS STEEL LOCK NUTS W/ NYLON INSERT. TORQUE 25 TO 30 INCH-POUNDS.

- 4.** INSTALL 1055359 LATCHING ASSEMBLY COVER USING THREE (3) 1055293 10-32 X .375 UNF-2A 18-8 SS PASSIVATED 1-WAY TAMPER PROOF FASTENERS.

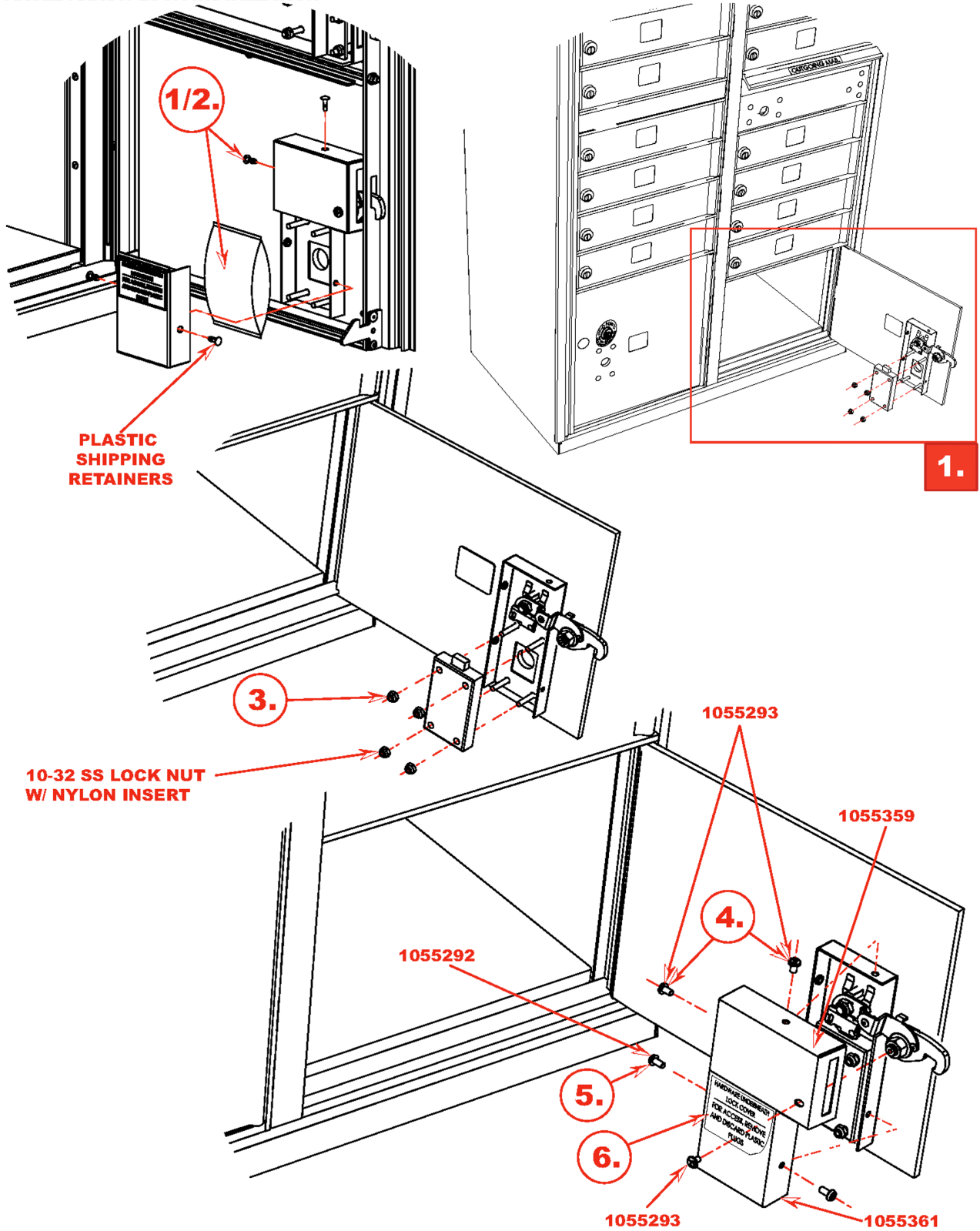
- 5.** INSTALL 1055361 ARROW LOCK COVER USING TWO (2) 1055292 10-32 X .312 UNF-2A 18-8 SS PASSIVATED MCGARD FASTENERS.

- 6.** REMOVE LABEL FROM COVER.

REQUIRED TOOLS	PART #	DESCRIPTION
FLAT SCREWDRIVER	1055292	10-32 x .312 UNF-2A 18-8 SS PASSIVATED MCGARD
USPS PROPRIETARY MCGARD TOOL	1055293	10-32 X .375 UNF-2A 18-8 SS PASSIVATED 1-WAY TAMPER PROOF
3/8" SOCKET WRENCH		10-32 STAINLESS STEEL LOCK NUT W/ NYLON INSERT
PLIERS	1055359	LATCHING ASSEMBLY COVER
	1055361	ARROW LOCK COVER
		ARROW LOCK

SALSBURY INDUSTRIES	
18300 Central Avenue, Carson, CA 90746-4008	
Phone: 1-800-624-5269	Int'l Phone: 323-846-6700
Fax: 1-800-624-5299	Int'l Fax: 323-846-6800
www.mailboxes.com	engineering@mailboxes.com

PARCEL ARROW LOCK INSTALLATION



SALSBURY INDUSTRIES

18300 Central Avenue, Carson, CA 90746-4008

Phone: 1-800-624-5269

Int'l Phone: 323-846-6700

Fax: 1-800-624-5299

Int'l Fax: 323-846-6800

www.mailboxes.com

engineering@mailboxes.com

Installation instructions are provided as general guidelines. It is advised that a professional installer be consulted. Salsbury Industries assumes no product assembly or installation liability.

Copyright © 2020 Salsbury Industries --- All rights reserved --- Part No. 1055282, Rev. 06, 11/06/2015 --- Page 8 of 10

PEDESTAL TO CBU INSTALLATION

CBU TYPES I, II, III AND IV

- 1.** OPEN MASTER LOADING DOORS.

- 2.** REMOVE LEFT AND RIGHT SIDE 1055344 FLOATING SHELVES, EXPOSING MOUNTING HOLES.

- 3.** PLACE UNIT ON PEDESTAL.

- 4.** FROM UNDERNEATH UNIT, INSERT FOUR (4) 3/8-16 X 1.25 STAINLESS STEEL CARRIAGE BOLTS UPWARD.

- 5.** FROM INSIDE LOWEST COMPARTMENTS, ADD FOUR (4) 3/8" X .688 OD STAINLESS STEEL LOCK WASHERS AND TIGHTEN FOUR (4) 3/8-16 STAINLESS STEEL PASSIVATED HEX NUTS. TORQUE TO 22 FOOT-POUNDS.

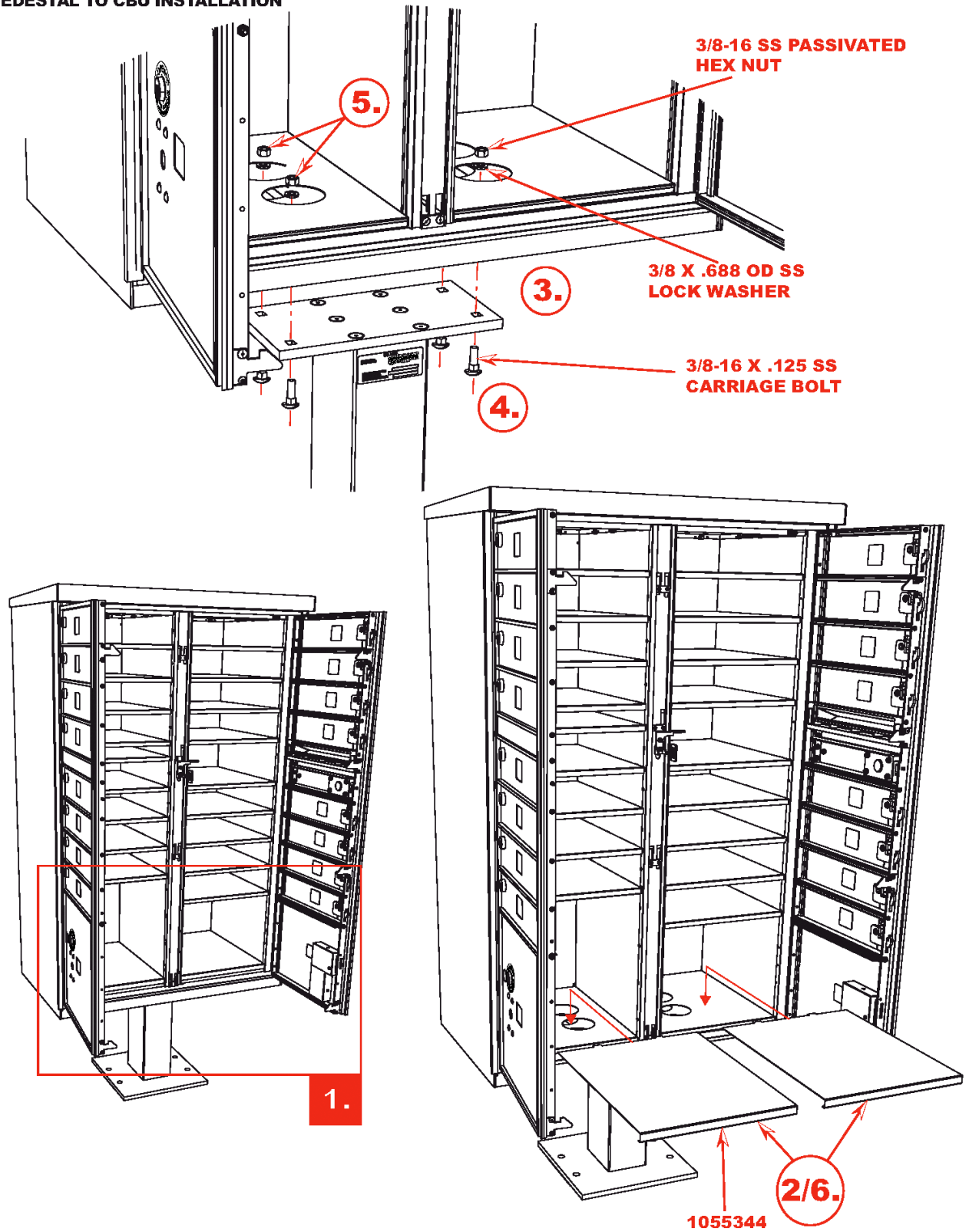
- 6.** REPLACE LEFT AND RIGHT SIDE 1055344 FLOATING SHELVES.

REQUIRED TOOLS	PART #	DESCRIPTION
9/16" SOCKET WRENCH		3/8-16 STAINLESS STEEL PASSIVATED HEX NUT
		3/8-16 X 1.25 STAINLESS STEEL CARRIAGE BOLT
	1055344	FLOATING SHELF
		PEDESTAL FOR TYPE I, II
	1055280	PEDESTAL FOR TYPE III, IV
		3/8" X .688 OD STAINLESS STEEL LOCK WASHER

SALSBURY INDUSTRIES

18300 Central Avenue, Carson, CA 90746-4008
 Phone: 1-800-624-5269 Int'l Phone: 323-846-6700
 Fax: 1-800-624-5299 Int'l Fax: 323-846-6800
 www.mailboxes.com engineering@mailboxes.com

PEDESTAL TO CBU INSTALLATION



SALSBURY INDUSTRIES

18300 Central Avenue, Carson, CA 90746-4008

Phone: 1-800-624-5269

Int'l Phone: 323-846-6700

Fax: 1-800-624-5299

Int'l Fax: 323-846-6800

www.mailboxes.com

engineering@mailboxes.com

Installation instructions are provided as general guidelines. It is advised that a professional installer be consulted. Salsbury Industries assumes no product assembly or installation liability.

Copyright © 2020 Salsbury Industries --- All rights reserved --- Part No. 1055282, Rev. 06, 11/06/2015 --- Page 10 of 10